



## XLA series / High Ripple Current

### GENERAL TECHNICAL CHARACTERISTICS

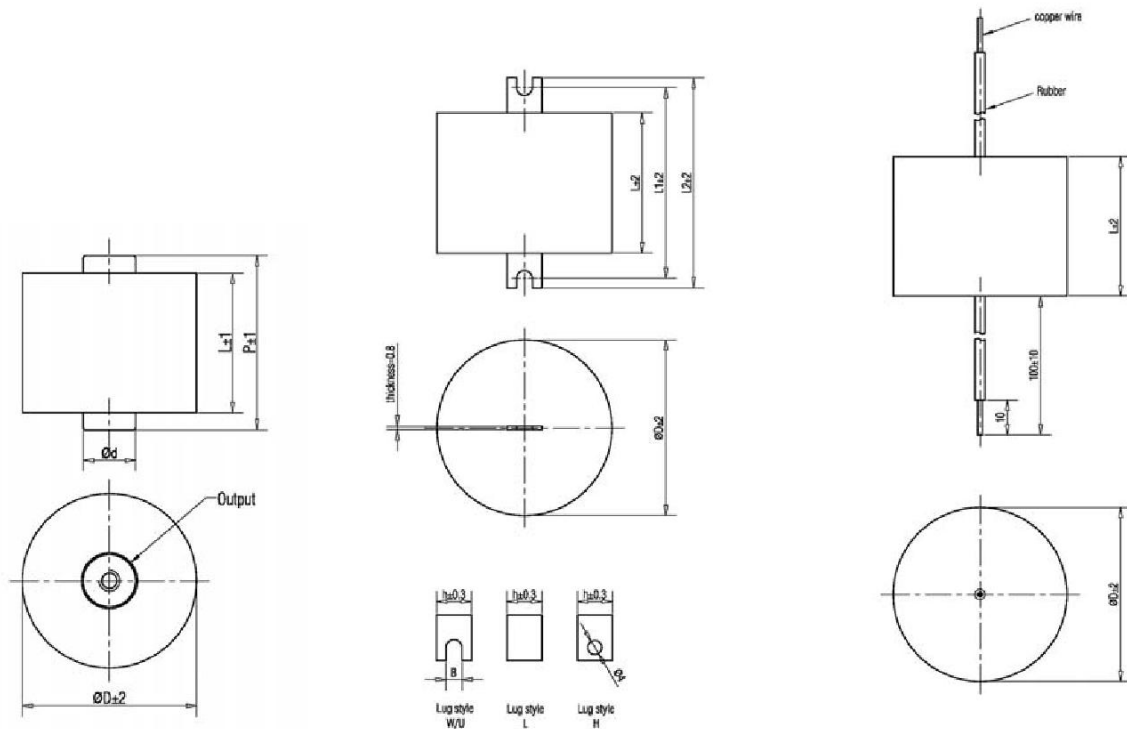
Reference standards : IEC 61071-60068  
 Dielectric : Polypropylene film  
 Construction : Extended metallized film. Dry construction, Non-inductive type  
 Coating : Polyester tape wrapping, UL94V-0 resin end fill  
 Leads: Tinned copper wire

### ELECTRICAL CHARACTERISTICS

Operating temperature range(case) : - 40 to + 85 °C  
 Capacitance : 1.0 to 300 $\mu$ F  
 Rated Voltage : 400 ,800,1000VDC (permissible AC voltage at 60Hz 250.400,500VAC)  
 Tolerance :  $\pm 5\%$  ,  $\pm 10\%$   
 Dissipation factor:  $\leq 10 \times 10^{-4}$  Measured at 100 Hz and 25 $\pm 5^\circ$ C  
 Life expectancy : 100,000 hours at Un and 70 °C (Hot-spot temperature)

### TEST METHODS AND PERFORMANCES

Dielectric strength: 1.6Un (DC) applied for 10s at 25 $\pm 5^\circ$ C (1 minute for type test)  
 Test voltage terminal to case : 3kVAC/50Hz for 60s  
 Insulation resistance :  $\geq 5000$ s, (typical value), after 1 minute of electrification at 100VDC (25 $\pm 5^\circ$ C )



	Lug Style W		Lug Style U	
	L1	L2	L1	L2
L=44mm			L+24	L+34
L=60mm	L+18	L+32	L+22	L+32

S or F for threaded insert			L for Lug or Line connect			
S5	F6	F8	LH	LU	LW	LL
d= 14mm	d= 15mm	d= 18mm	h=9 mm	h=10 mm	h=14 mm	0.5-3.5 mm
				B=4.5 mm	B=6.5 mm	





## XLA series / High Ripple Current

XLA  
- 800 - 10 - 44 & L  
XLA  
- 800 - 10 - 44 5 #

44 Length of capacitor  
F5 L& Terminals type or line connection  
# Screw terminals with shoe for D<80mm

### Electrical specifications, ordering codes

#### Outputs : threaded insert M5, M6 or M8

Cap ( $\mu$ F)	Dimension			du/dt (V/ $\mu$ s)	I <sub>rms</sub> @25°C (A)	ESR@1.0kHz (m $\Omega$ )	Output Insert	Ordering Code
	D	L	P					
Un 400VDC , Urms 250VAC								
20	41	50	62	60	27	3.2	M5	XLA-400-20-50F5#
25	47	50	62	60	32	2.7	M6	XLA-400-25-50F6#
30	50	50	62	60	37	2.5	M6	XLA-400-30-50F6#
40	58	50	62	60	46	2.1	M6	XLA-400-40-50F6#
50	64	50	62	60	54	1.9	M8	XLA-400-50-50F8#
50	53	64	77	30	40	2.7	M6	XLA-400-50-64F6#
60	58	64	77	30	46	2.4	M6	XLA-400-60-64F6#
80	66	64	77	30	56	2.1	M8	XLA-400-80-64F8#
100	74	64	77	30	66	1.9	M8	XLA-400-100-64F8#
150	90	64	77	30	90	1.6	M8	XLA-400-150-64F8
200	104	64	77	30	100	1.2	M8	XLA-400-200-64F8
Un 800VDC , Urms 400VAC								
10	36.5	50	62	70	23	4.3	M5	XLA-800-10-50F5#
15	45	50	62	70	32	3.2	M6	XLA-800-15-50F6#
20	52	50	62	70	39	2.6	M6	XLA-800-20-50F6#
25	58	50	62	70	46	2.3	M6	XLA-800-25-50F6#
30	63	50	62	70	52	2.1	M8	XLA-800-30-50F8#
30	55	64	77	50	39	3.1	M6	XLA-800-30-64F6#
40	63	64	77	50	48	2.6	M8	XLA-800-40-64F8#
50	70	64	77	50	57	2.3	M8	XLA-800-50-64F8#
60	76	64	77	50	65	2.1	M8	XLA-800-60-64F8#
80	88	64	77	50	80	1.8	M8	XLA-800-80-64F8
100	98	64	77	50	95	1.6	M8	XLA-800-100-64F8
Un 1000VDC , Urms 500VAC								
5.0	41	50	62	120	23	5.4	M5	XLA-1000-5.0-50F5#
10	58	50	62	120	38	3.2	M6	XLA-1000-10-50F6#
15	70	50	62	120	52	2.5	M8	XLA-1000-15-50F8#
15	58	64	77	80	38	3.9	M6	XLA-1000-15-64F6#
20	66	64	77	80	47	3.1	M8	XLA-1000-20-64F8#
25	74	64	77	80	56	2.7	M8	XLA-1000-25-64F8#
30	81	64	77	80	64	2.4	M8	XLA-1000-30-64F8
40	93	64	77	80	79	2.1	M8	XLA-1000-40-64F8
50	104	64	77	80	90	1.9	M8	XLA-1000-50-64F8

XLA Series – High Ripple Current



## XLA series / High Ripple Current

Electrical specifications, ordering codes

Outputs : Lug

Cap ( $\mu$ F)	Dimension		Du/dt (v/ $\mu$ s)	I <sub>rms</sub> @25°C (A)	ESR@1.0kHz (m $\Omega$ )	Output (Lug)		Ordering Code
	D	L				h	Style	
Un 400VDC ,Urms 250VAC								
3.0	21	35	74	9	8.7	9	H	XLA-400-3.0-35LH
5.0	26	35	74	13	5.6	9	H	XLA-400-5.0-35LH
5.0	22	44	60	10	9.7	9	H	XLA-400-5.0-44LH
10	30	44	60	16	5.4	9	H	XLA-400-10-44LH
10	25	60	30	12	9.6	9	H	XLA-400-10-60LH
15	36	44	60	22	3.9	9	H	XLA-400-15-44LH
15	30	60	30	16	6.7	9	H	XLA-400-15-60LH
20	41	44	60	27	3.2	10	U	XLA-400-20-44LU
20	34	60	30	20	5.3	10	U	XLA-400-20-60LU
25	47	44	60	32	2.7	10	U	XLA-400-25-44LU
25	37	60	30	23	4.4	10	U	XLA-400-25-60LU
30	50	44	60	36	2.5	10	U	XLA-400-30-44LU
30	41	60	30	27	3.9	10	U	XLA-400-30-60LU
40	58	44	60	45	2.1	10	U	XLA-400-40-44LU
40	48	60	30	34	3.1	10	U	XLA-400-40-60LU
50	53	60	30	40	2.7	14	W	XLA-400-50-60LW
60	58	60	30	46	2.4	14	W	XLA-400-50-60LW
Un 800VDC ,Urms 400VAC								
2.0	22	35	110	10	10.8	9	H	XLA-800-2.0-35LH
3.0	27	35	110	14	7.5	9	H	XLA-800-3.0-35LH
5.0	34	35	70	16	5.9	9	H	XLA-800-5.0-35LH
5.0	27	44	50	10	10.6	9	H	XLA-800-5.0-44LH
10	36.5	44	70	22	3.8	10	U	XLA-800-10-44LU
10	30	60	50	17	5.8	10	U	XLA-800-10-60LU
15	45	44	70	31	2.9	10	U	XLA-800-15-44LU
15	39	60	50	23	4.2	10	U	XLA-800-15-60LU
20	51	44	70	38	2.4	10	U	XLA-800-20-44LU
20	45	60	50	30	3.4	10	U	XLA-800-20-60LU
25	50	60	50	35	2.9	10	U	XLA-800-25-60LU
30	55	60	50	40	2.6	14	W	XLA-800-30-60LW
40	63	60	50	49	2.2	14	W	XLA-800-40-60LW
Un 1000VDC ,Urms 500VAC								
1.0	23	35	190	9	12.5	9	H	XLA-1000-1.0-35LH
2.0	32	35	190	15	6.7	9	H	XLA-1000-2.0-35LH
2.0	27	44	120	11	11.9	9	H	XLA-1000-2.0-44LH
3.0	32	44	120	17	8.3	9	H	XLA-1000-3.0-44LH
3.0	27	60	80	13	15.3	9	H	XLA-1000-3.0-60LH
5.0	41	44	120	23	5.4	10	U	XLA-1000-5.0-44LU
5.0	34	60	80	17	9.6	10	U	XLA-1000-5.0-60LU
10	48	60	80	29	5.3	10	U	XLA-1000-10-60LU
15	58	60	80	38	3.9	14	W	XLA-1000-15-60LW
20	67	60	80	47	3.1	14	W	XLA-1000-20-60LW

**XLA Series – High Ripple Current**